

Series BN

Small Batch Mixer, 1750 rpm

Direct Drive, Clamp Mount

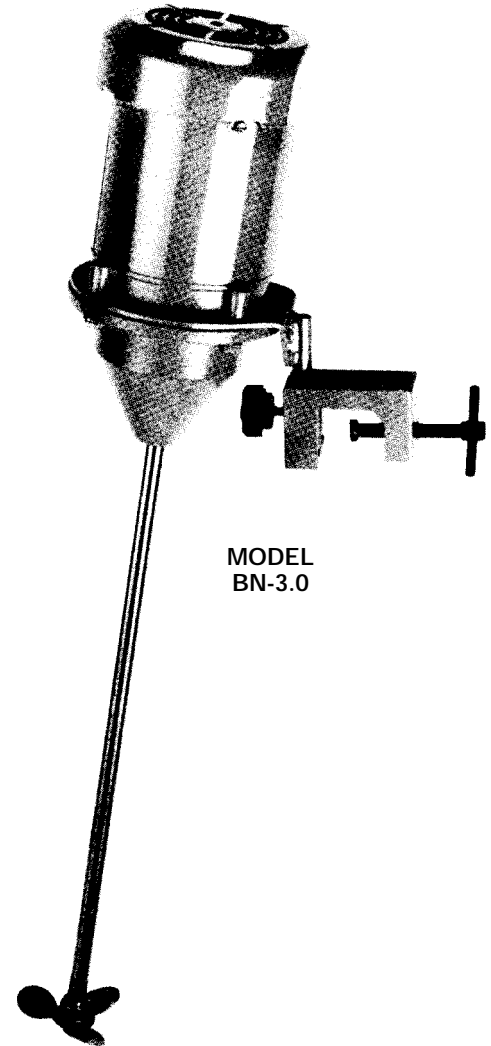
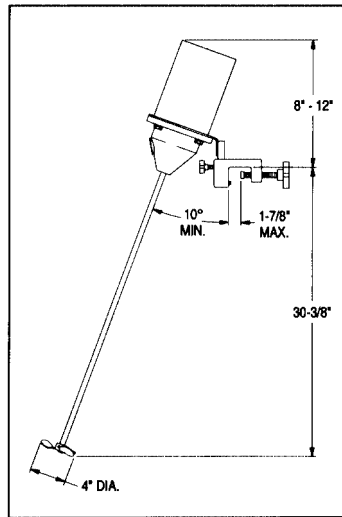
Neptune's premier line of small direct drive mixers for mixing small batches of low viscosity fluids.

Features

- Mounting ease. Clamp cannot slip, preventing propeller from hitting side of tank.
- Quick, easy adjustment between "angled-on-center" and "angled-off-center" positions without tools.
- Coupling is fully enclosed.
- Motors are available in TEFC or explosion-proof enclosures (56C frame). Air motors also available.
- Off-the-shelf delivery.
- Standard shaft and prop materials:
 - 316SS
 - Carpenter 20
- Clamp adjusts to any angle.

Model Number	Standard Motor Description	Shaft Length	Shaft Diameter
Totally-enclosed fan-cooled (TEFC)			
BN-1.0	1/4 HP-1-115/230	32"	1/2"
BN-2.0	1/3 HP-1-115/230	32"	1/2"
BN-2.2	1/3 HP-3-230/460	32"	1/2"
BN-3.0	1/2 HP-1-115/230	32"	5/8"
BN-3.2	1/2 HP-3-230/460	32"	5/8"
Explosion-proof class 1 group D (EP)			
BN-2.1	1/3 HP-1-115/230	32"	1/2"
BN-2.3	1/3 HP-3-230/460	32"	1/2"
BN-3.1	1/2 HP-1-115/230	32"	5/8"
BN-3.3	1/2 HP-3-230/460	32"	5/8"
Air motor			
BN-4.0	1/4 HP to 1/2 HP AIR	32"	5/8"

To develop 1/4 HP at 1725 RPM requires 10 CFM at 15 PSI;
 1/3 HP at 1725 RPM requires 12 CFM at 20 PSI;
 1/2 HP at 1725 RPM requires 22 CFM at 40 PSI.



MODEL BN-3.0

Series L

Laboratory Mixers

Bar, Clamp and Bracket Mount

Neptune's Laboratory Mixers are available in air or electric drive with clamp or bracket mount. The air motors include a control valve and muffler.

Model L-1-AC includes a C-clamp and the air supply pipe passes through the C-clamp. Model L-1-A does not include a C-clamp but the air supply pipe will fit a standard one-half-inch laboratory bar clamp.

Cord and plug are standard with 1550 rpm electric models. Operating speed ranges from 200 to 2000 rpm with air motors.

Model Number	Standard Motor Description	Mount Type	RPM	Shaft Length	Prop. Diameter	Shaft Diameter
Totally-enclosed fan-cooled (TEFC)						
L-1-CL	1/20 HP-115-60	"C" Clamp	1550	30"	3"	5/16"
L-1-CL 24	1/20 HP-115-60	"C" Clamp	1550	24"	3"	5/16"
L-1-CL 18	1/20 HP-115-60	"C" Clamp	1550	18"	3"	5/16"
L-1-BK	1/20 HP-115-60	Bracket	1550	30"	3"	5/16"
Air motor						
L-1-A	*HP Air Motor	Lab Clamp	Variable	20"	3"	5/16"
L-1-AC	*HP Air Motor	"C" Clamp	Variable	20"	3"	5/16"

Air (speed) control valve included on air motor models
 * Develops 0.10 HP @ 2000 RPM Requires 6 CFM @ 60 PSI
 0.175 HP @ 2000 RPM Requires 10 CFM @ 60 PSI